

Department of Engineering
Tim Bryan, P.E., County Engineer

3137 South Liberty Street, Canton, MS 39046
Office (601) 790-2525 FAX (601) 859-3430

MEMORANDUM

February 8, 2021

To: Sheila Jones, Supervisor, District I
Trey Baxter, Supervisor, District II
Gerald Steen, Supervisor, District III
Karl Banks, Supervisor, District IV
Paul Griffin, Supervisor, District V

From: Tim Bryan, P.E., PTOE
County Engineer

Re: Telepak Networks, Inc./D.B.A. Cspire Utility Permit
Project Information: County Road Name, Clarkdell Road

The Engineering Department recommends approval of permit application for Telepak Networks, Inc./D.B.A. Cspire to place to place fiber optic cable in the right-of-way of the following roads:

- Oakfield Blvd.
- Woodscape Drive
- Buttonwood Lane



PERMIT APPLICATION FOR THE CONSTRUCTION OR ADJUSTMENT OF A UTILITY WITHIN COUNTY ROAD RIGHT-OF-WAY

Utility Information: Utility Name: _____

Address: _____ City/State/Zip: _____

Contact Person: _____ Contact's Phone: _____

Project Information: County Road Name: _____
(If located within more than one road right-of-way, use Appendix 1 for additional descriptions)

Beginning Location: _____ Ending Location: _____

Length of Project: _____ Section: _____ Township: _____ Range: _____

Description of Work: _____

Check Box if Appendix 1 is to be included as a part of this Application

Whereas the above stated Utility makes application to the **Madison County Board of Supervisors** for a Construction Permit. Attached hereto are drawings and plans for the construction of the above facilities located within Madison County owned public rights-of-way. Once stamped by the Madison County Engineering Department, these plans shall not be changed or altered without written approval of the County Engineer, or his representative. A copy of the approved permit and plans shall be on-site at all times during construction.

The Applicant Utility shall comply with all policies, procedures and construction practices as outlined in *A Policy for The Accommodation of Utility Facilities within the Right-of-Way of all Public County Roads* (hereinafter referred to as the "Policy"), as adopted on November 1, 2005, by the **Madison County Board of Supervisors**, and which is hereby made a part of this Application Agreement.

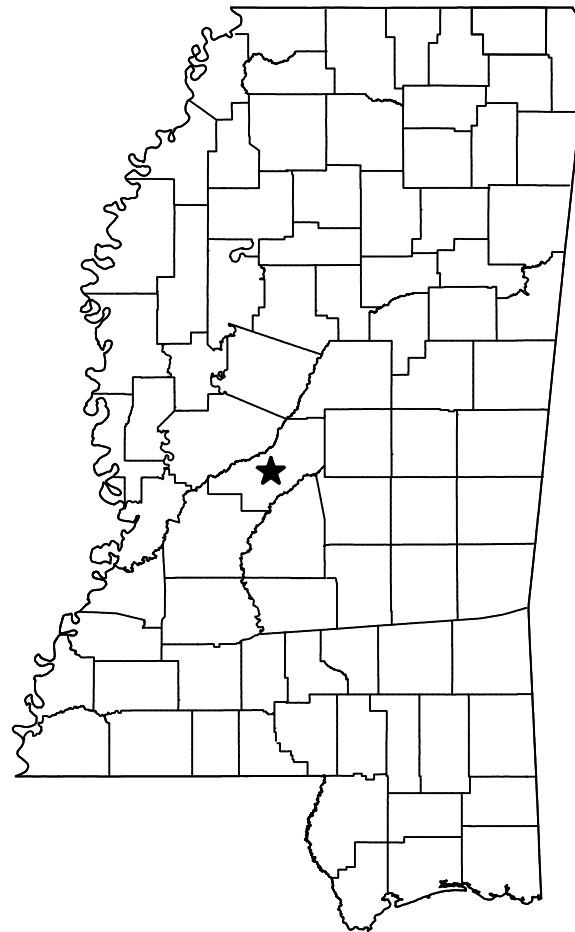
If facilities are to be located within the Rights-of-Way of the County-Federal or State Aid System, Applicant Utility also agrees to comply with applicable provisions of *S.O.P. No. SA II-2-8, Accommodation of Utilities on Rights-of-Way*, issued by the State Aid Engineer and dated July 1, 2005.

The Applicant Utility understands and agrees that, except as herein granted, no right, title, claim, or easement to said road right-of-way is granted by the issuance of this permit. If this Utility is listed in the general provisions of the Policy, it will be adjusted to comply with same without cost to the County, unless the variance from the Policy has been approved by the granting of the Permit pursuant to this Application.

The Applicant Utility further understands that the Utility's engineering, plant, or other personnel will be responsible for the staking and construction supervision of the work set out above and as shown on the attached plans. If work impacts traffic in any way, the appropriate traffic control shall be installed per the *Manual of Uniform Traffic Control Devices*, Latest Edition.

The Applicant Utility understands that the County Engineer, or his representative, may issue a Stop Work Order at any time if it is deemed that site conditions are not suitable for construction or if any of the requirements of this permit are not being met.

Many County Roads have variable Rights-of-Way and/or no Right-of-Way at all and are maintained under a Prescriptive Easement. It is the sole responsibility of the Applicant Utility to verify the existence and limits of public rights-of-way. If none exists, it is the

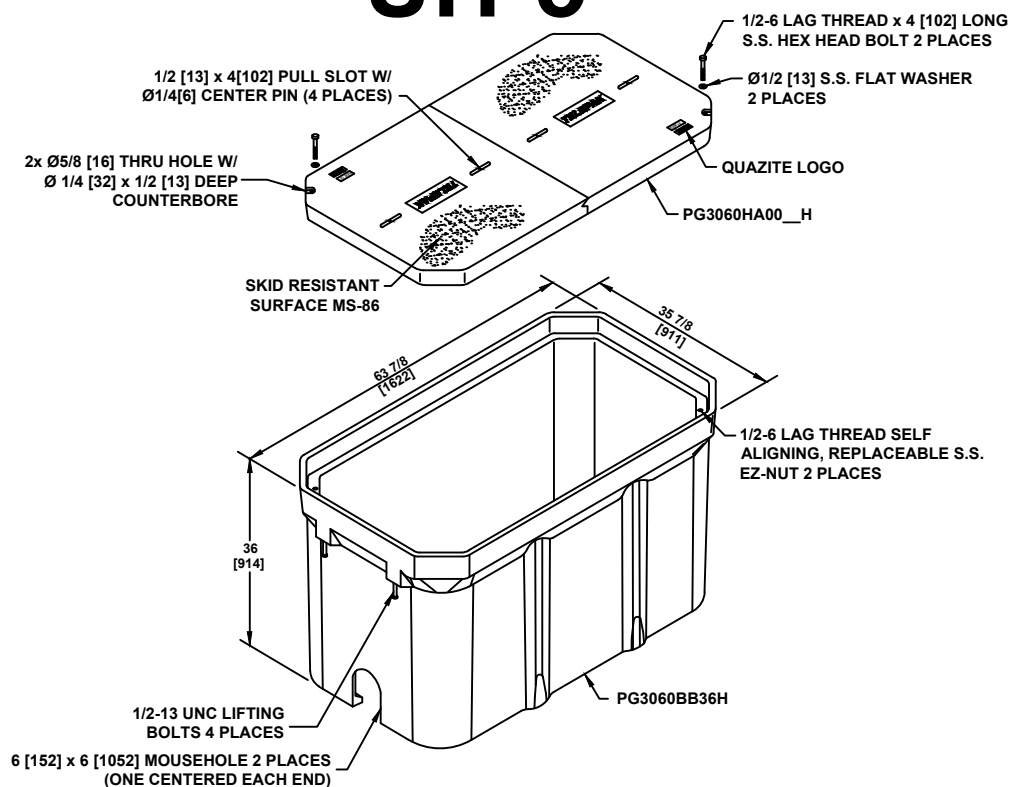


<< PERMITS >>	
CITY :	YES
COUNTY :	YES
MDOT :	N/A
FEDERAL :	N/A
RAILROAD :	N/A
PRIVATE R/W :	N/A
MISC :	N/A

PROPOSED FTTH
SAGEFIELD - OAKFIELD ADDITION
CITY OF GLUCKSTADT
MADISON COUNTY, MISSISSIPPI
01/07/21

PREPARED BY
SQUANTM
3177 STERLINGTON RD.
MONROE, LA 71203
318-388-2717

UH-5



1. THIS ASSEMBLY IS RATED FOR A STATIC DESIGN LOAD OF 15,000 LBS. [66,720 N] OVER A 10 [254] X 10 [254] AREA AND MUST PASS A MIN. STATIC TEST LOAD OF 22,500 LBS. [100,085 N].
2. ALL ENCLOSURES, BOXES AND COVERS, ARE REQUIRED TO CONFORM TO ALL TEST PROVISIONS OF ANSISCTE 77 2007 "SPECIFICATION FOR UNDERGROUND ENCLOSURE INTEGRITY" AS MANUFACTURED BY QUAZITE OR EQUIVALENT WITH TELEPAK NETWORK'S ENGINEER'S SIGNED APPROVAL. THE COVERS MUST BE RATED FOR TIER 15 APPLICATIONS AND BOXES RATED FOR TIER 22 APPLICATIONS AND IN NO ASSEMBLY CAN THE COVER DESIGN LOAD EXCEED THE DESIGN LOAD OF THE BOX. ALL COMPONENTS IN AN ASSEMBLY (BOX & COVER) ARE MANUFACTURED USING MATCHED SURFACE TOOLING. ALL COVERS ARE REQUIRED TO HAVE A MINIMUM COEFFICIENT OF FRICTION OF 0.50 IN ACCORDANCE WITH ASTM C 1028 AND HAVE TIER 15 AND "TELEPAK NETWORKS 800-342-3716" EMBOSSED ON THE TOP SURFACE. ALL COVER BOLTS TO BE SELF-CLEANING AUGER BOLT ASSEMBLIES.

PIGTAILS ARE TO BE INSTALLED AT TEST STATION (T.S.) ONLY.

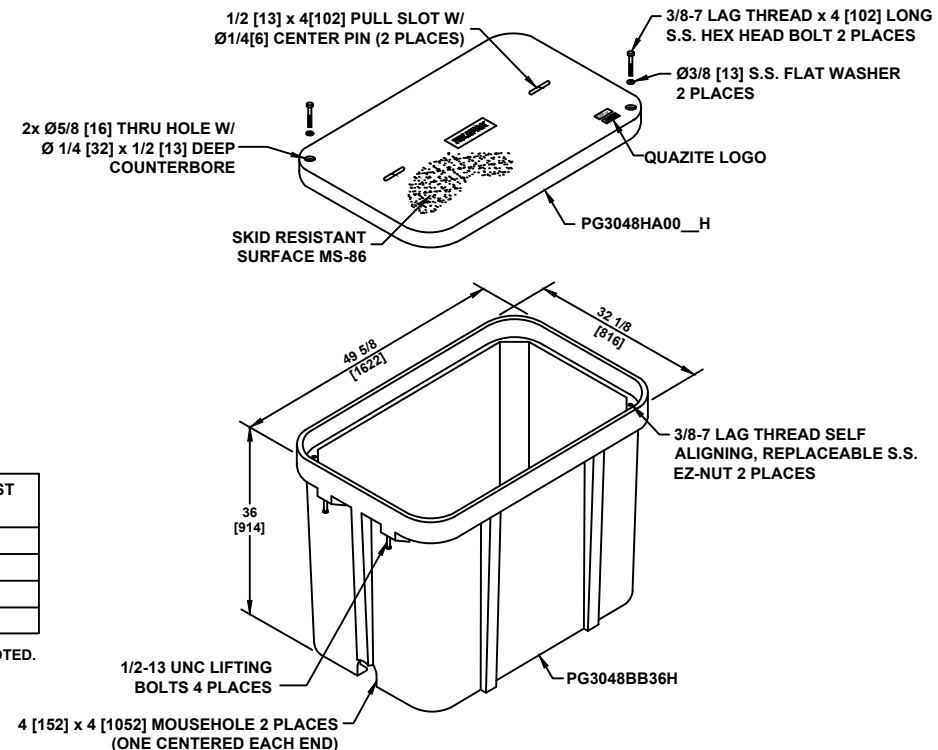
HANDHOLES ARE TO BE INSTALLED A MINIMUM OF THREE FEET FROM ANY UTILITY OR POWER POLE.

BOXES (Nestable)

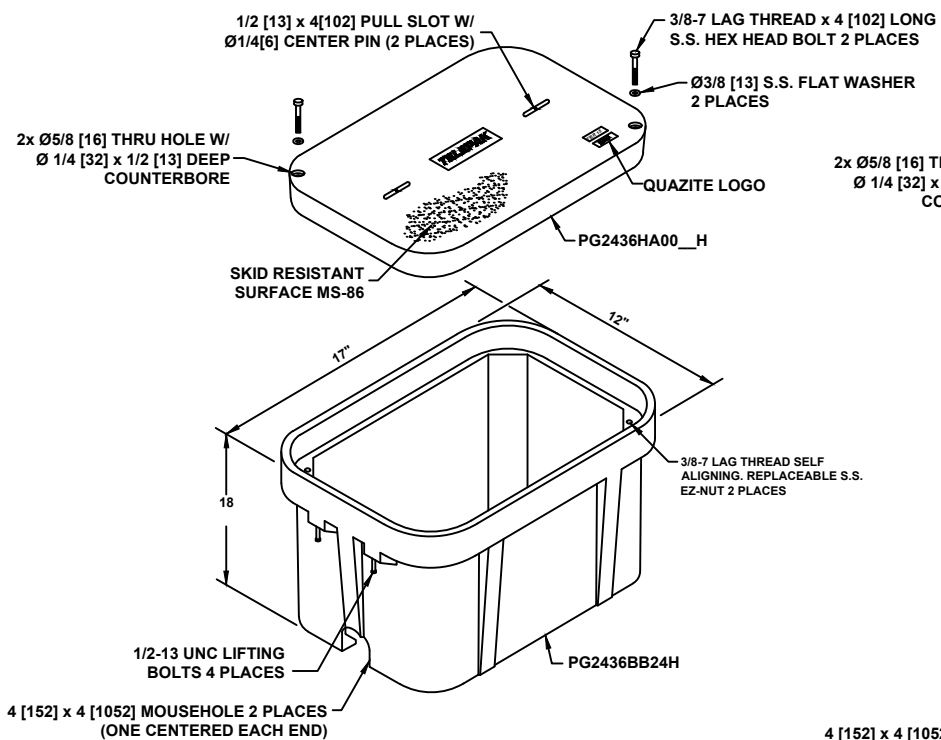
DESCRIPTION	PART NO.	WEIGHT	DESIGN/TEST LOAD#
UH-5 30x60x36	PG3060Z501	933# 423KG.	15'000 LBS
UH-4 30x48x36	PG3048Z579	563# 255KG.	15'000 LBS
UH-3 24x36x24	PG2436Z905	284# 129KG.	15'000 LBS
UH-2 11x17x18	PG2436Z905	284# 129KG.	15'000 LBS

DIMENSIONS ARE IN INCHES OR MILLIMETERS IN BRACKETS UNLESS OTHERWISE NOTED.

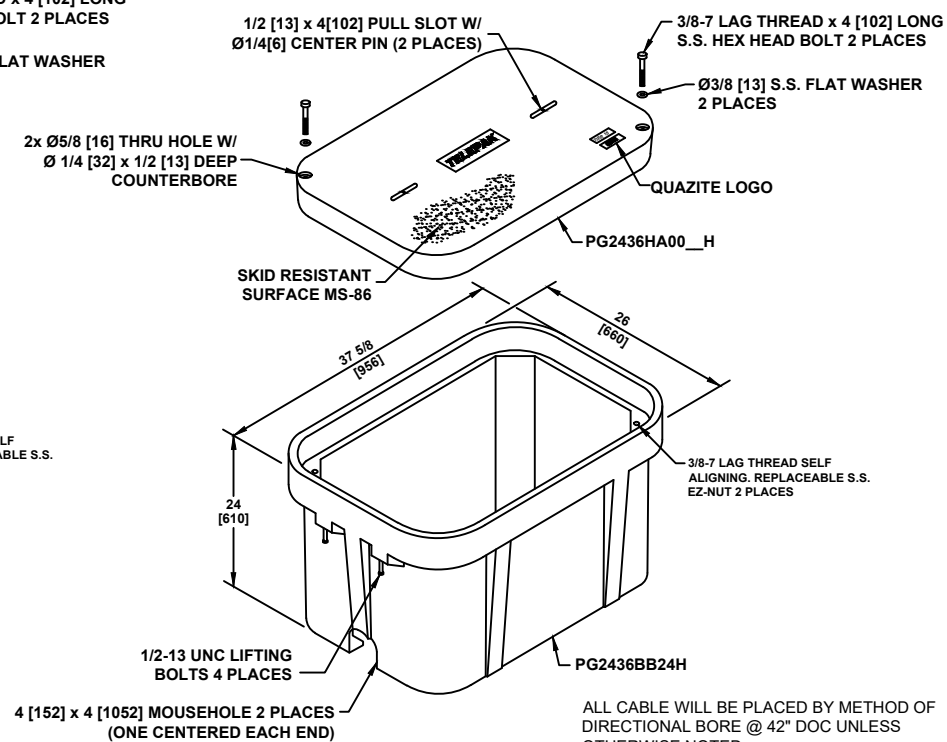
UH-4



UH-2

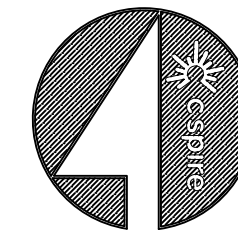
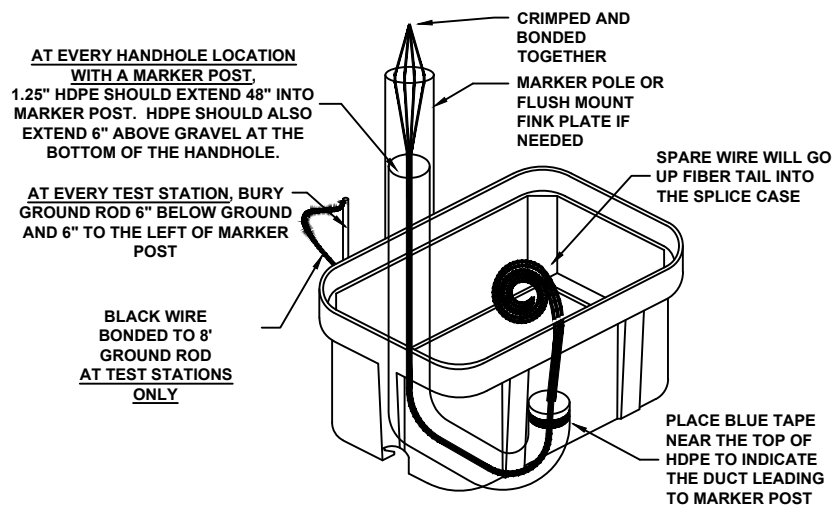


UH-3



ALL CABLE WILL BE PLACED BY METHOD OF DIRECTIONAL BORE @ 42" DOC UNLESS OTHERWISE NOTED.

TYPICAL HAND HOLE INSTALLATION



FILE NAME
HWY 51 REDESIGN
PROJECT CITY
MADISON, MS
FULL FILENAME

DATE	DESCRIPTION
	CONSTRUCTION
SHEET	DRAWN BY
TYPICALS	SQUAN
SCALE	PAGE
NTS	TYPICALS

MATERIAL LIST

ITEM	DESCRIPTION	QUANTITY
1	TRIDENT RTD 1X12	
2	TRIDENT RTD 1X12	
3	TRIDENT RTD 1X12	
4	TRIDENT RTD 1X12	
5	48 CT FOC	
6	48 CT FOC LOOP	
7	72 CT FOC	
8	72 CT FOC LOOP	
9	144 CT FOC	
10	144 CT FOC LOOP	
11	288 CT FOC	
12	288 CT FOC LOOP	
13	432 CT FOC	
14	432 CT FOC LOOP	
15	BDO288P	
16	UH2	
17	UH3	
18	UH4	
19	UH5	
20	1-1.25" SDR11 HDPE	
21	2-1.25" SDR11 HDPE	
22	3-1.25" SDR11 HDPE	
23	4-1.25" SDR11 HDPE	
24	5-1.25" SDR11 HDPE	
25	6-1.25" SDR11 HDPE	
26	TYCO "B" SPLICE CASE	
27	TYCO "D" SPLICE CASE	
28	GROUND ROD	
29	SPLICES	
30	BM53FA	

REVISIONS

REV.	DESCRIPTION	INITIALS	DATE

PREPARED BY



PREPARED FOR

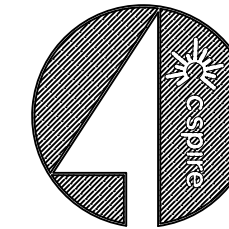


MAP NUMBER

DISCLAIMER

EXCEPT AS MAY BE OTHERWISE PROVIDED BY CONTRACT, THESE DRAWINGS AND SPECIFICATIONS SHALL REMAIN THE PROPERTY OF CSPIRE FIBER, BEING ISSUED IN STRICT CONFIDENCE AND SHALL NOT BE REPRODUCED, COPIED, OR USED FOR ANY PURPOSE WITHOUT SPECIFIC WRITTEN PERMISSION.

NOTIFY ALL UTILITIES 72 HOURS PRIOR TO CONSTRUCTION ACTIVITY.
ONE CALL SYSTEM @ 1-800-227-6477



FILE NAME
SAGEFIELD - OAKFIELD ADDITION

PROJECT CITY
GLUCKSTADT, MS

FULL FILENAME
FULL FILE NAME

DATE	DESCRIPTION
	CONSTRUCTION

SHEET	DRAWN BY
001	SQUAN

SCALE	PAGE
1"=50'	001

MATERIALS LIST

ITEM	DESCRIPTION	QTY.
1	TRIDENT RTD 1X12	
2	TRIDENT RTD 1X12	
3	TRIDENT RTD 1X12	
4	12 CT FOC	
5	12 CT FOC LOOP	
6	24 CT FOC	
7	24 CT FOC LOOP	
8	48 CT FOC	
9	48 CT FOC LOOP	
10	48 CT FOC LOOP	
11	72 CT FOC LOOP	
12	96 CT FOC	
13	96 CT FOC LOOP	
14	288 CT FOC	449
15	288 CT FOC LOOP	300
16	BDO288P LCP	1
17	288 LCP PAD	
18	UH2	
19	UH3	
20	UH4	
21	UH5	1
22	1-1.25" SDR11 HDPE	
23	2-1.25" SDR11 HDPE	22
24	3-1.25" SDR11 HDPE	
25	4-1.25" SDR11 HDPE	
26	TYCO "B" SPLICE CASE	1
27	TYCO "D" SPLICE CASE	1
28	GROUND ROD	2
29	SPLICES	336
30	BM53FA	1

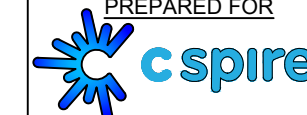
REVISIONS

REV.	DESCRIPTION	INITIALS	DATE
1			
2			

PREPARED BY



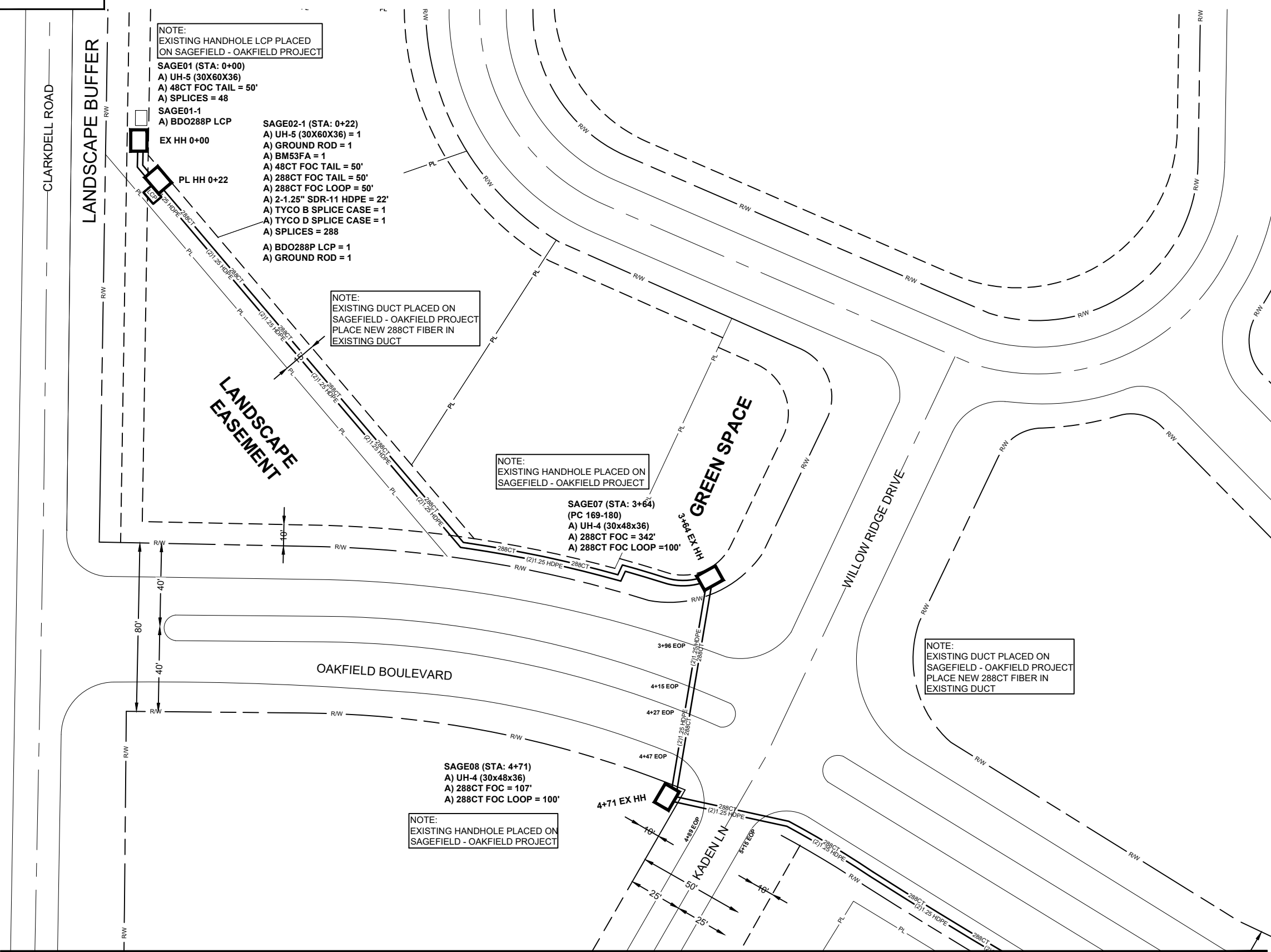
PREPARED FOR



MAP NUMBER

DISCLAIMER

EXCEPT AS MAY BE OTHERWISE PROVIDED BY CONTRACT, THESE DRAWINGS AND SPECIFICATIONS SHALL REMAIN THE PROPERTY OF CSPIRE FIBER. BEING ISSUED IN STRICT CONFIDENCE AND SHALL NOT BE REPRODUCED, COPIED, OR USED FOR ANY PURPOSE WITHOUT SPECIFIC WRITTEN PERMISSION.



NOTE:
EXISTING HANDHOLE LCP PLACED ON SAGEFIELD - OAKFIELD PROJECT

SAGE01 (STA: 0+00)
A) UH-5 (30X60X36)
A) 48CT FOC TAIL = 50'
A) SPLICES = 48

SAGE01-1
A) BDO288P LCP

SAGE02-1 (STA: 0+22)
A) UH-5 (30X60X36) = 1
A) GROUND ROD = 1
A) BM53FA = 1
A) 48CT FOC TAIL = 50'
A) 288CT FOC TAIL = 50'
A) 288CT FOC LOOP = 50'
A) 2-1.25" SDR-11 HDPE = 22'
A) TYCO B SPLICE CASE = 1
A) TYCO D SPLICE CASE = 1
A) SPLICES = 288
A) BDO288P LCP = 1
A) GROUND ROD = 1

NOTE:
EXISTING DUCT PLACED ON SAGEFIELD - OAKFIELD PROJECT
PLACE NEW 288CT FIBER IN EXISTING DUCT

NOTE:
EXISTING HANDHOLE PLACED ON SAGEFIELD - OAKFIELD PROJECT

SAGE07 (STA: 3+64)
(PC 169-180)
A) UH-4 (30x48x36)
A) 288CT FOC = 342'
A) 288CT FOC LOOP = 100'

NOTE:
EXISTING DUCT PLACED ON SAGEFIELD - OAKFIELD PROJECT
PLACE NEW 288CT FIBER IN EXISTING DUCT

SAGE08 (STA: 4+71)
A) UH-4 (30x48x36)
A) 288CT FOC = 107'
A) 288CT FOC LOOP = 100'

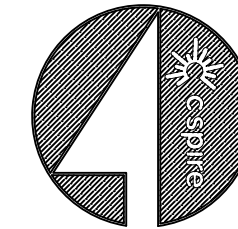
NOTE:
EXISTING HANDHOLE PLACED ON SAGEFIELD - OAKFIELD PROJECT

SEE SHEET 2

ALL CABLE WILL BE PLACED BY METHOD OF DIRECTIONAL BORE MIN 2' OFF ROW OR EASEMENT @ 42" DOC UNLESS OTHERWISE NOTED.

NOTIFY ALL UTILITIES 72 HOURS PRIOR TO CONSTRUCTION ACTIVITY.
ONE CALL SYSTEM @ 1-800-227-6477

SEE SHEET 1



FILE NAME
SAGEFIELD - OAKFIELD ADDITION
PROJECT CITY
GLUCKSTADT, MS
FULL FILENAME
FULL FILE NAME

DATE
CONSTRUCTION

SHEET
002
DRAWN BY
SQUAN

SCALE
1"=50'
PAGE
002

MATERIALS LIST

ITEM	DESCRIPTION	QTY.
1	TRIDENT RTD 1X12	
2	TRIDENT RTD 1X12	
3	TRIDENT RTD 1X12	
4	12 CT FOC	
5	12 CT FOC LOOP	
6	24 CT FOC	
7	24 CT FOC LOOP	
8	48 CT FOC	
9	48 CT FOC LOOP	
10	72 CT FOC	
11	72 CT FOC LOOP	
12	96 CT FOC	
13	96 CT FOC LOOP	
14	288 CT FOC	
15	288 CT FOC LOOP	
16	BDO576P LCP	
17	576 LCP PAD	
18	UH2	
19	UH3	
20	UH4	
21	UH5	
22	1-1.25" SDR11 HDPE	
23	2-1.25" SDR11 HDPE	
24	3-1.25" SDR11 HDPE	
25	4-1.25" SDR11 HDPE	
26	TYCO "B" SPLICE CASE	
27	TYCO "D" SPLICE CASE	
28	GROUND ROD	
29	SPLICES	
30	BM53FA	

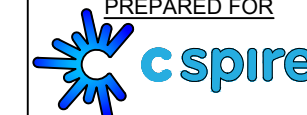
REVISIONS

REV.	DESCRIPTION	INITIALS	DATE
1			
2			

PREPARED BY



PREPARED FOR

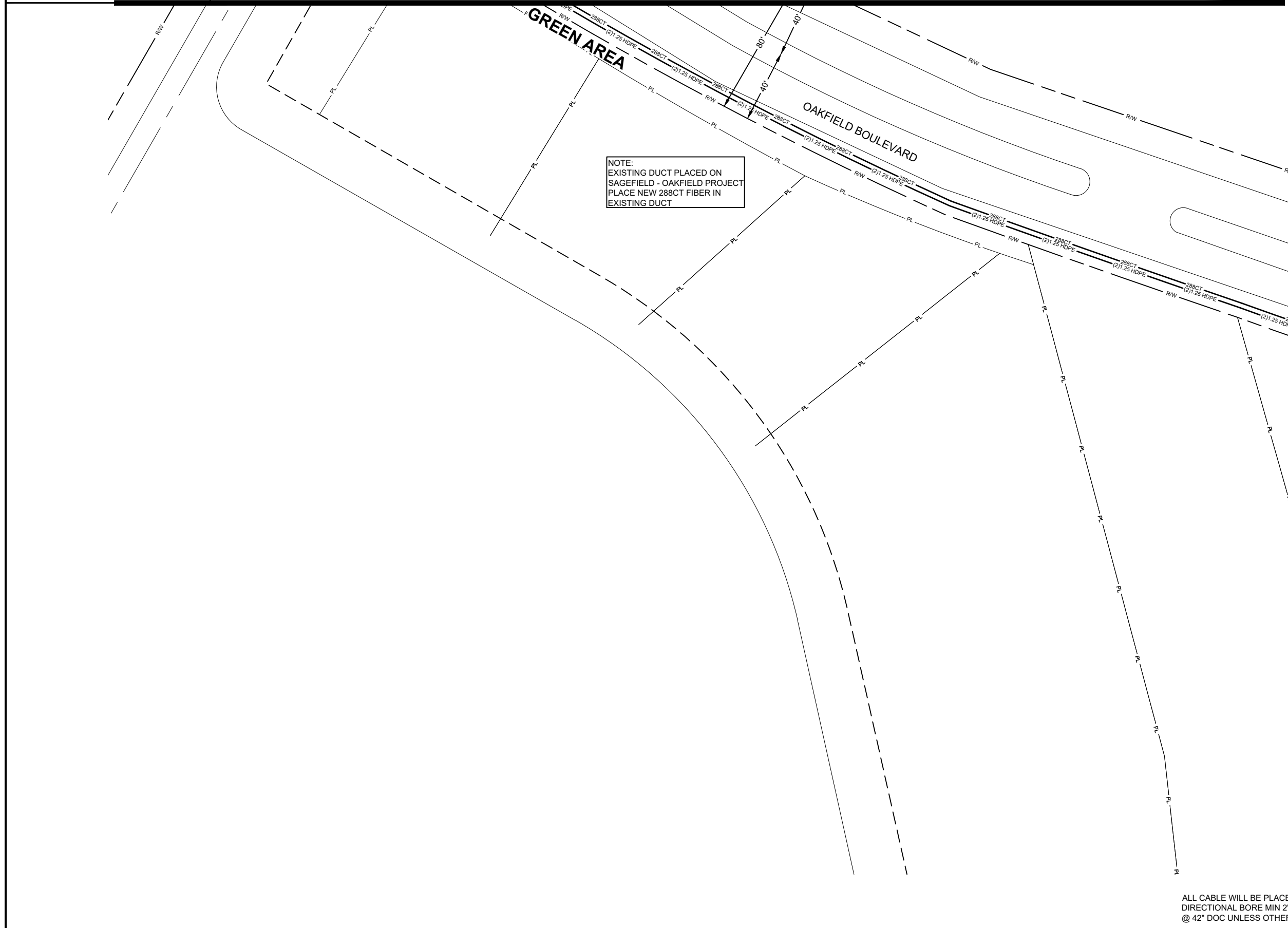


MAP NUMBER

3

DISCLAIMER

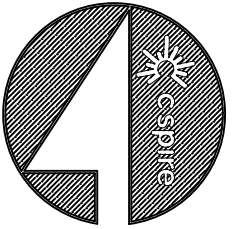
EXCEPT AS MAY BE OTHERWISE PROVIDED BY CONTRACT, THESE DRAWINGS AND SPECIFICATIONS SHALL REMAIN THE PROPERTY OF CSPIRE FIBER. BEING ISSUED IN STRICT CONFIDENCE AND SHALL NOT BE REPRODUCED, COPIED, OR USED FOR ANY PURPOSE WITHOUT SPECIFIC WRITTEN PERMISSION.



NOTE:
EXISTING DUCT PLACED ON
SAGEFIELD - OAKFIELD PROJECT
PLACE NEW 288CT FIBER IN
EXISTING DUCT

ALL CABLE WILL BE PLACED BY METHOD OF DIRECTIONAL BORE MIN 2' OFF ROW OR EASEMENT @ 42" DOC UNLESS OTHERWISE NOTED.

NOTIFY ALL UTILITIES 72 HOURS PRIOR TO CONSTRUCTION ACTIVITY.
ONE CALL SYSTEM @ 1-800-227-6477



FILE NAME	
SAGEFIELD - OAKFIELD ADDITION	
PROJECT CITY	
GLUCKSTADT, MS	
FULL FILENAME	
FULL FILE NAME	
DATE	DESCRIPTION
	CONSTRUCTION
SHEET	DRAWN BY
003	SQUAN
SCALE	PAGE
1"=50'	003

MATERIALS LIST

ITEM	DESCRIPTION	QTY.
1	TRIDENT RTD 1X12	
2	TRIDENT RTD 1X12	
3	TRIDENT RTD 1X12	
4	12 CT FOC	
5	12 CT FOC LOOP	
6	24 CT FOC	
7	24 CT FOC LOOP	
8	48 CT FOC	
9	48 CT FOC LOOP	
10	72 CT FOC	
11	72 CT FOC LOOP	
12	96 CT FOC	
13	96 CT FOC LOOP	
14	288 CT FOC	798
15	288 CT FOC LOOP	100
16	BDO576P LCP	
17	576 LCP PAD	
18	UH2	
19	UH3	
20	UH4	
21	UH5	
22	1-1.25" SDR11 HDPE	
23	2-1.25" SDR11 HDPE	
24	3-1.25" SDR11 HDPE	
25	4-1.25" SDR11 HDPE	
26	TYCO "B" SPLICE CASE	
27	TYCO "D" SPLICE CASE	
28	GROUND ROD	
29	SPLICES	
30	BM53FA	

REVISIONS

REV.	DESCRIPTION	INITIALS	DATE
1			
2			

PREPARED BY



PREPARED FOR



MAP NUMBER

2	3	4
---	---	---

DISCLAIMER

EXCEPT AS MAY BE OTHERWISE PROVIDED BY CONTRACT, THESE DRAWINGS AND SPECIFICATIONS SHALL REMAIN THE PROPERTY OF CSPIRE FIBER. BEING ISSUED IN STRICT CONFIDENCE AND SHALL NOT BE REPRODUCED, COPIED, OR USED FOR ANY PURPOSE WITHOUT SPECIFIC WRITTEN PERMISSION.

SEE SHEET 2

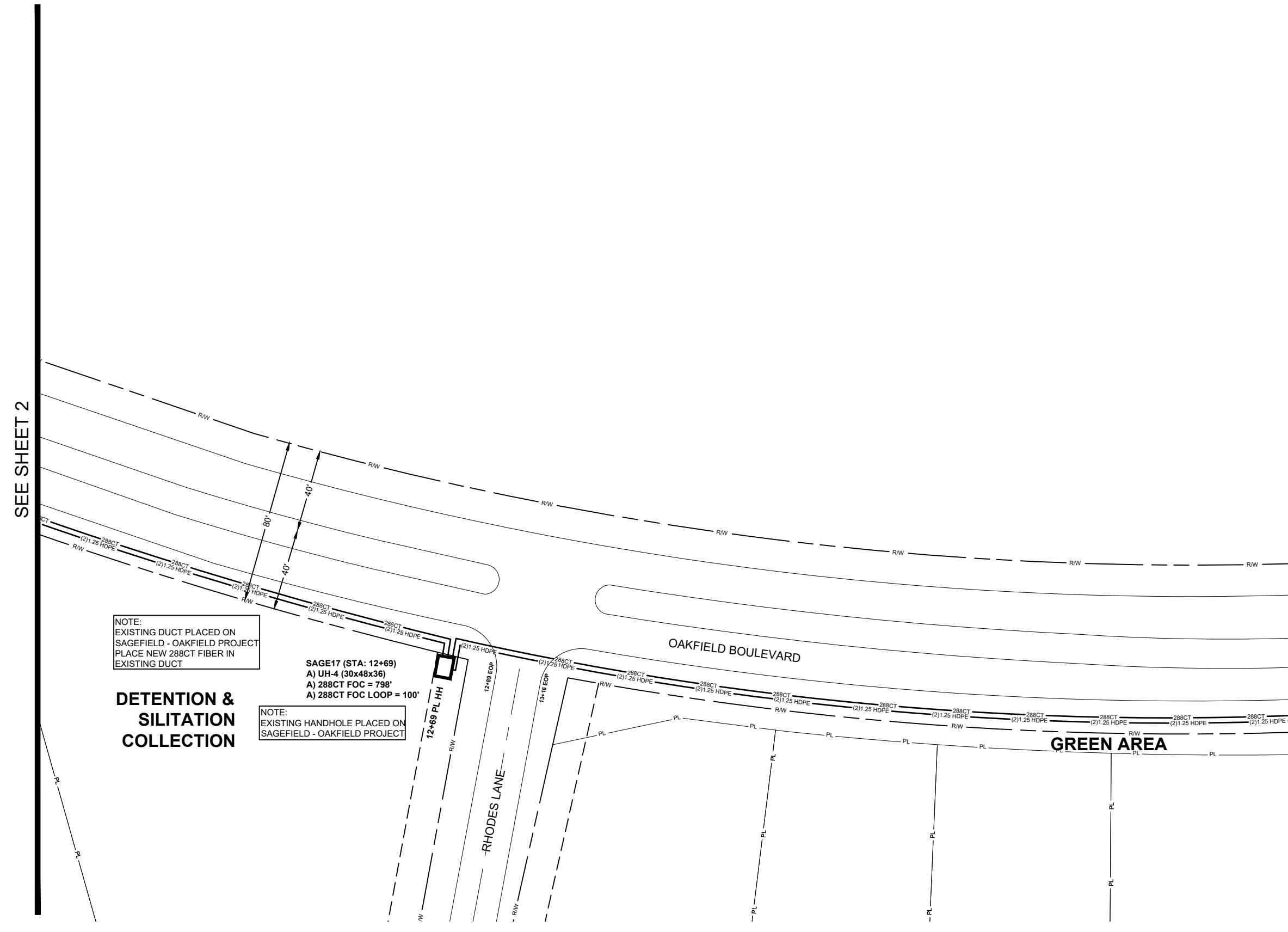
SEE SHEET 4

NOTE:
EXISTING DUCT PLACED ON SAGEFIELD - OAKFIELD PROJECT
PLACE NEW 288CT FIBER IN EXISTING DUCT

DETENTION & SILITATION COLLECTION

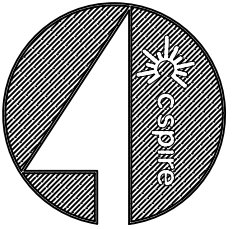
SAGE17 (STA: 12+69)
A) UH-4 (30x48x36)
A) 288CT FOC = 798'
A) 288CT FOC LOOP = 100'

NOTE:
EXISTING HANDHOLE PLACED ON SAGEFIELD - OAKFIELD PROJECT



ALL CABLE WILL BE PLACED BY METHOD OF DIRECTIONAL BORE MIN 2' OFF ROW OR EASEMENT @ 42" DOC UNLESS OTHERWISE NOTED.

NOTIFY ALL UTILITIES 72 HOURS PRIOR TO CONSTRUCTION ACTIVITY.
ONE CALL SYSTEM @ 1-800-227-6477



FILE NAME SAGEFIELD - OAKFIELD ADDITION	
PROJECT CITY GLUCKSTADT, MS	
FULL FILENAME FULL FILE NAME	
DATE	DESCRIPTION CONSTRUCTION
SHEET 004	DRAWN BY SQUAN
SCALE 1"=50'	PAGE 004

MATERIALS LIST

ITEM	DESCRIPTION	QTY.
1	TRIDENT RTD 1X12	
2	TRIDENT RTD 1X12	
3	TRIDENT RTD 1X12	
4	12 CT FOC	
5	12 CT FOC LOOP	
6	24 CT FOC	
7	24 CT FOC LOOP	
8	48 CT FOC	
9	48 CT FOC LOOP	
10	72 CT FOC	
11	72 CT FOC LOOP	
12	96 CT FOC	
13	96 CT FOC LOOP	
14	288 CT FOC	
15	288 CT FOC LOOP	
16	BDO576P LCP	
17	576 LCP PAD	
18	UH2	
19	UH3	
20	UH4	
21	UH5	
22	1-1.25" SDR11 HDPE	
23	2-1.25" SDR11 HDPE	
24	3-1.25" SDR11 HDPE	
25	4-1.25" SDR11 HDPE	
26	TYCO "B" SPLICE CASE	
27	TYCO "D" SPLICE CASE	
28	GROUND ROD	
29	SPLICES	
30	BM53FA	

REVISIONS

REV.	DESCRIPTION	INITIALS	DATE
1			
2			

PREPARED BY



PREPARED FOR



MAP NUMBER

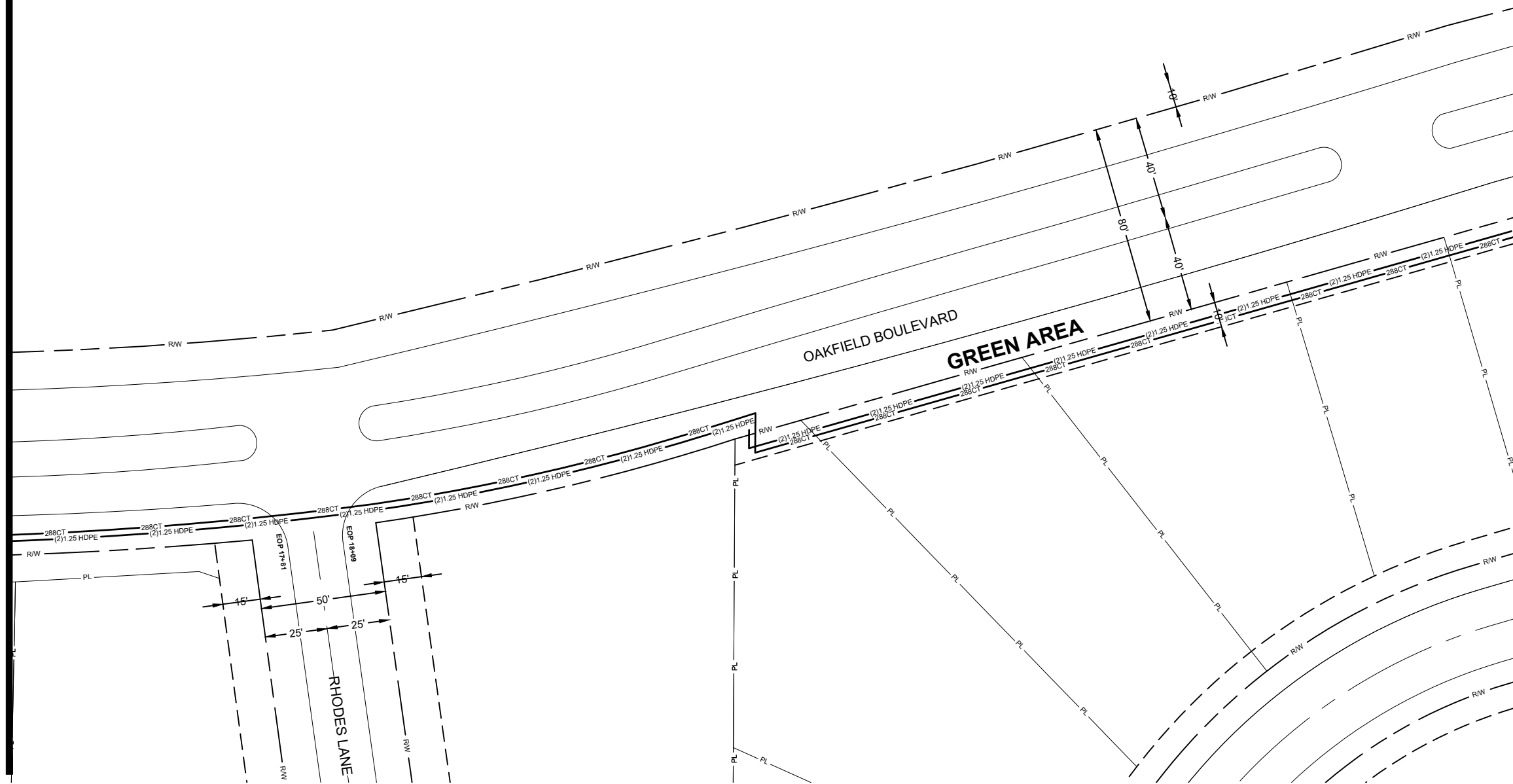
3	4	5
---	---	---

DISCLAIMER

EXCEPT AS MAY BE OTHERWISE PROVIDED BY CONTRACT, THESE DRAWINGS AND SPECIFICATIONS SHALL REMAIN THE PROPERTY OF CSPIRE FIBER. BEING ISSUED IN STRICT CONFIDENCE AND SHALL NOT BE REPRODUCED, COPIED, OR USED FOR ANY PURPOSE WITHOUT SPECIFIC WRITTEN PERMISSION.

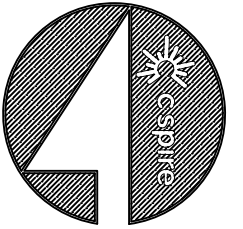
SEE SHEET 3

SEE SHEET 5



ALL CABLE WILL BE PLACED BY METHOD OF DIRECTIONAL BORE MIN 2' OFF ROW OR EASEMENT @ 42" DOC UNLESS OTHERWISE NOTED.

NOTIFY ALL UTILITIES 72 HOURS PRIOR TO CONSTRUCTION ACTIVITY.
ONE CALL SYSTEM @ 1-800-227-6477



FILE NAME	
SAGEFIELD - OAKFIELD ADDITION	
PROJECT CITY	
GLUCKSTADT, MS	
FULL FILENAME	
FULL FILE NAME	
DATE	CONSTRUCTION
CONSTRUCTION	
SHEET	DRAWN BY
005	SQUAN
SCALE	PAGE
1"=50'	005

MATERIALS LIST

ITEM	DESCRIPTION	QTY.
1	TRIDENT RTD 1X12	
2	TRIDENT RTD 1X12	
3	TRIDENT RTD 1X12	
4	12 CT FOC	
5	12 CT FOC LOOP	
6	24 CT FOC	
7	24 CT FOC LOOP	
8	48 CT FOC	
9	48 CT FOC LOOP	
10	72 CT FOC	
11	72 CT FOC LOOP	
12	96 CT FOC	
13	96 CT FOC LOOP	
14	288 CT FOC	1347
15	288 CT FOC LOOP	100
16	BDO576P LCP	
17	576 LCP PAD	
18	UH2	
19	UH3	
20	UH4	1
21	UH5	
22	1-1.25" SDR11 HDPE	
23	2-1.25" SDR11 HDPE	1347
24	3-1.25" SDR11 HDPE	
25	4-1.25" SDR11 HDPE	
26	TYCO "B" SPLICE CASE	
27	TYCO "D" SPLICE CASE	
28	GROUND ROD	1
29	SPLICES	
30	BM53FA	1

REVISIONS

REV.	DESCRIPTION	INITIALS	DATE
1			
2			

PREPARED BY



PREPARED FOR



MAP NUMBER

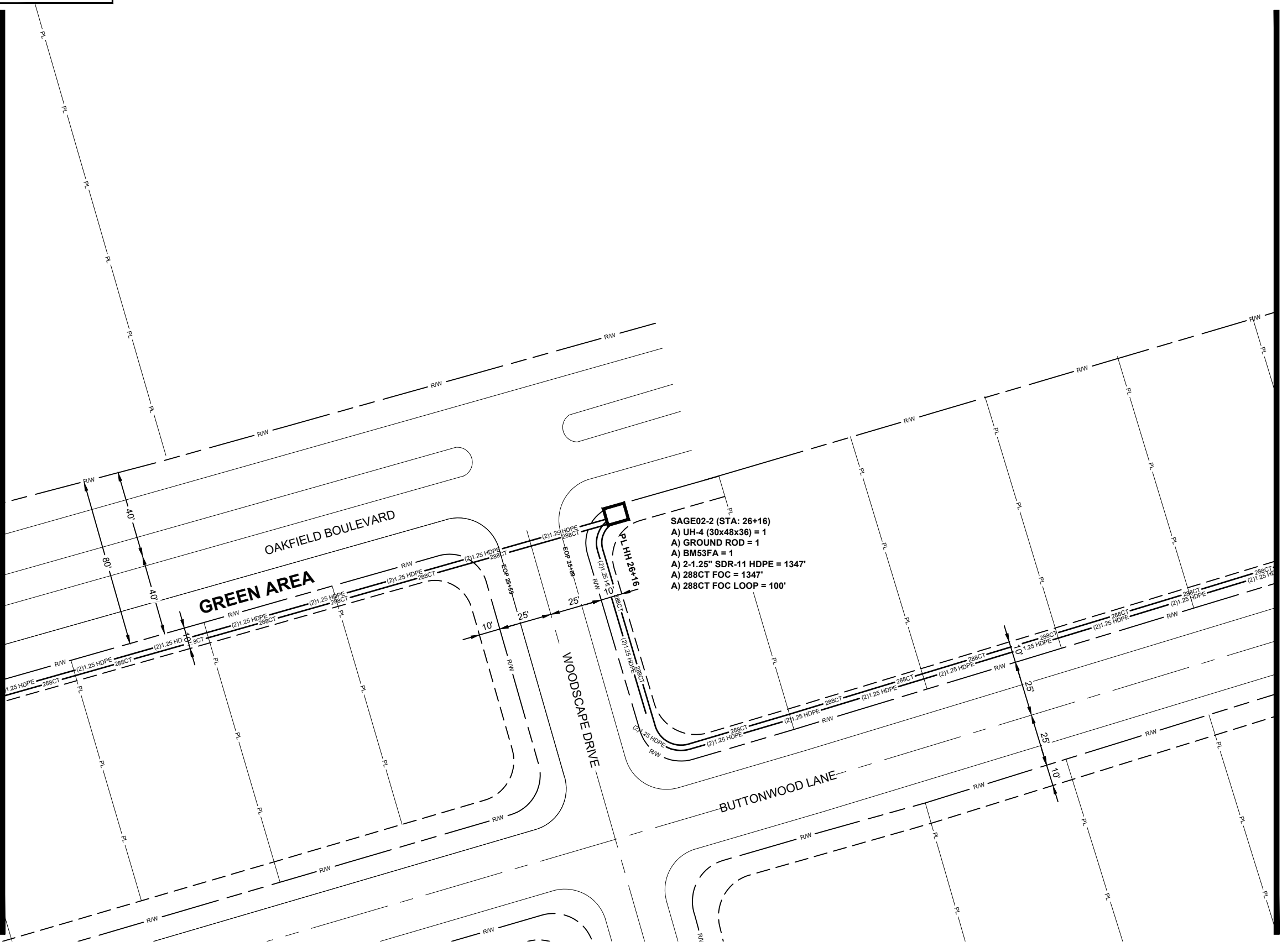
4	5	6
---	---	---

DISCLAIMER

EXCEPT AS MAY BE OTHERWISE PROVIDED BY CONTRACT, THESE DRAWINGS AND SPECIFICATIONS SHALL REMAIN THE PROPERTY OF CSPIRE FIBER. BEING ISSUED IN STRICT CONFIDENCE AND SHALL NOT BE REPRODUCED, COPIED, OR USED FOR ANY PURPOSE WITHOUT SPECIFIC WRITTEN PERMISSION.

SEE SHEET 4

SEE SHEET 6



SAGE02-2 (STA: 26+16)
 A) UH-4 (30x48x36) = 1
 A) GROUND ROD = 1
 A) BM53FA = 1
 A) 2-1.25" SDR-11 HDPE = 1347'
 A) 288CT FOC = 1347'
 A) 288CT FOC LOOP = 100'

ALL CABLE WILL BE PLACED BY METHOD OF DIRECTIONAL BORE MIN 2' OFF ROW OR EASEMENT @ 42" DOC UNLESS OTHERWISE NOTED.

NOTIFY ALL UTILITIES 72 HOURS PRIOR TO CONSTRUCTION ACTIVITY.
 ONE CALL SYSTEM @ 1-800-227-6477



FILE NAME SAGEFIELD - OAKFIELD ADDITION	
PROJECT CITY GLUCKSTADT, MS	
FULL FILENAME FULL FILE NAME	
DATE	DESCRIPTION CONSTRUCTION
SHEET 006	DRAWN BY SQUAN
SCALE 1"=50'	PAGE 006

MATERIALS LIST		
ITEM	DESCRIPTION	QTY.
1	TRIDENT RTD 1X12	100
2	TRIDENT RTD 1X12	100
3	TRIDENT RTD 1X12	
4	12 CT FOC	
5	12 CT FOC LOOP	
6	24 CT FOC	
7	24 CT FOC LOOP	
8	48 CT FOC	
9	48 CT FOC LOOP	
10	72 CT FOC	
11	72 CT FOC LOOP	
12	144 CT FOC	280
13	144 CT FOC LOOP	150
14	288 CT FOC	784
15	288 CT FOC LOOP	50
16	BDO576P LCP	
17	576 LCP PAD	
18	UH2	5
19	UH3	
20	UH4	2
21	UH5	
22	1-1.25" SDR11 HDPE	136
23	2-1.25" SDR11 HDPE	988
24	3-1.25" SDR11 HDPE	69
25	4-1.25" SDR11 HDPE	129
26	TYCO "B" SPLICE CASE	
27	TYCO "D" SPLICE CASE	2
28	GROUND ROD	2
29	SPLICES	156
30	BM53FA	2

REVISIONS			
REV.	DESCRIPTION	INITIALS	DATE
1			
2			

PREPARED BY
SQUAN
PREPARED FOR
cspire

MAP NUMBER		
5	6	7

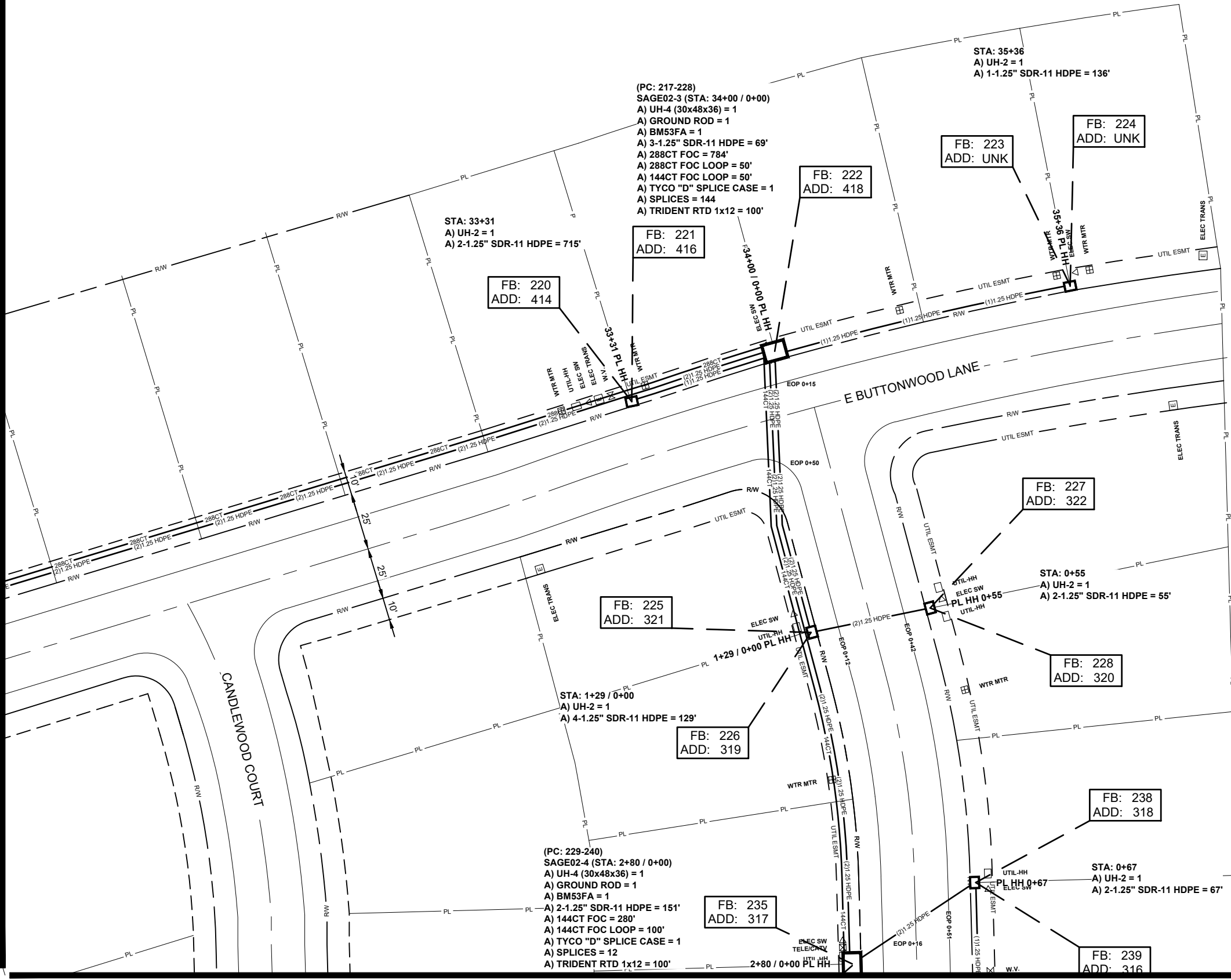
DISCLAIMER
EXCEPT AS MAY BE OTHERWISE PROVIDED BY CONTRACT, THESE DRAWINGS AND SPECIFICATIONS SHALL REMAIN THE PROPERTY OF CSPIRE FIBER. BEING ISSUED IN STRICT CONFIDENCE AND SHALL NOT BE REPRODUCED, COPIED, OR USED FOR ANY PURPOSE WITHOUT SPECIFIC WRITTEN PERMISSION.

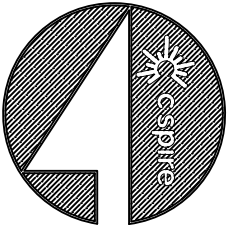
SEE SHEET 5

SEE SHEET 7

ALL CABLE WILL BE PLACED BY METHOD OF DIRECTIONAL BORE MIN 2' OFF ROW OR EASEMENT @ 42" DOC UNLESS OTHERWISE NOTED.

NOTIFY ALL UTILITIES 72 HOURS PRIOR TO CONSTRUCTION ACTIVITY.
ONE CALL SYSTEM @ 1-800-227-6477





FILE NAME SAGEFIELD - OAKFIELD ADDITION	
PROJECT CITY GLUCKSTADT, MS	
FULL FILENAME FULL FILE NAME	
DATE	DESCRIPTION CONSTRUCTION
SHEET 007	DRAWN BY SQUAN
SCALE 1"=50'	PAGE 007

MATERIALS LIST

ITEM	DESCRIPTION	QTY.
1	TRIDENT RTD 1X12	100
2	TRIDENT RTD 1X12	
3	TRIDENT RTD 1X12	
4	12 CT FOC	
5	12 CT FOC LOOP	
6	24 CT FOC	
7	24 CT FOC LOOP	
8	48 CT FOC	
9	48 CT FOC LOOP	
10	72 CT FOC	
11	72 CT FOC LOOP	
12	144 CT FOC	211
13	144 CT FOC LOOP	100
14	288 CT FOC	
15	288 CT FOC LOOP	
16	BDO576P LCP	
17	576 LCP PAD	
18	UH2	5
19	UH3	
20	UH4	1
21	UH5	
22	1-1.25" SDR11 HDPE	132
23	2-1.25" SDR11 HDPE	198
24	3-1.25" SDR11 HDPE	142
25	4-1.25" SDR11 HDPE	
26	TYCO "B" SPLICE CASE	
27	TYCO "D" SPLICE CASE	1
28	GROUND ROD	1
29	SPLICES	12
30	BM53FA	1

REVISIONS

REV.	DESCRIPTION	INITIALS	DATE
1			
2			

PREPARED BY



PREPARED FOR

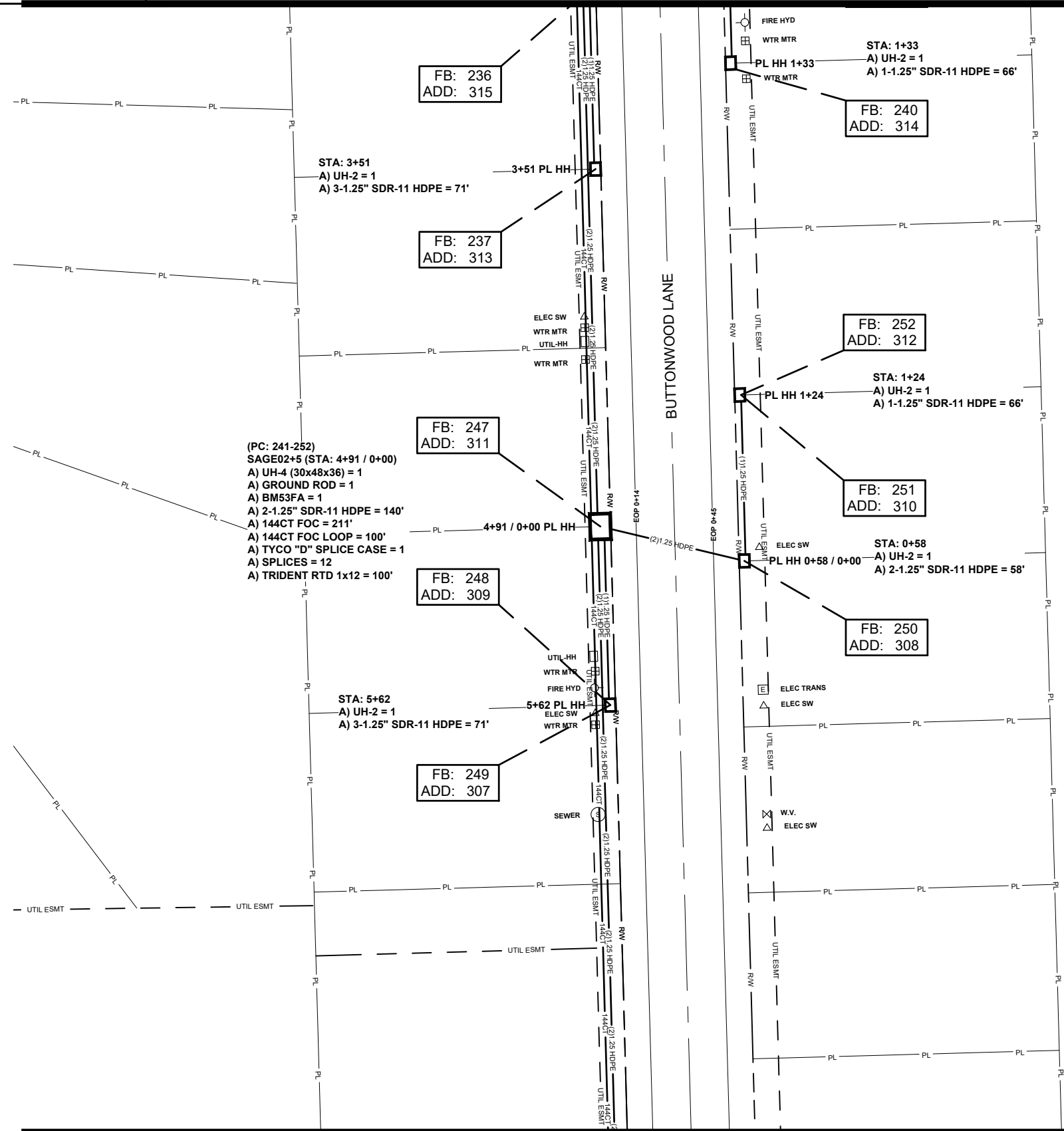


MAP NUMBER

6
8

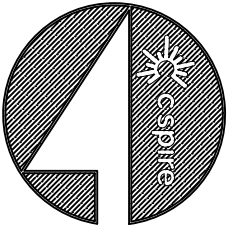
DISCLAIMER

EXCEPT AS MAY BE OTHERWISE PROVIDED BY CONTRACT, THESE DRAWINGS AND SPECIFICATIONS SHALL REMAIN THE PROPERTY OF CSPIRE FIBER. BEING ISSUED IN STRICT CONFIDENCE AND SHALL NOT BE REPRODUCED, COPIED, OR USED FOR ANY PURPOSE WITHOUT SPECIFIC WRITTEN PERMISSION.



ALL CABLE WILL BE PLACED BY METHOD OF DIRECTIONAL BORE MIN 2' OFF ROW OR EASEMENT @ 42" DOC UNLESS OTHERWISE NOTED.

NOTIFY ALL UTILITIES 72 HOURS PRIOR TO CONSTRUCTION ACTIVITY.
ONE CALL SYSTEM @ 1-800-227-6477



FILE NAME SAGEFIELD - OAKFIELD ADDITION	
PROJECT CITY GLUCKSTADT, MS	
FULL FILENAME FULL FILE NAME	
DATE	DESCRIPTION CONSTRUCTION
SHEET 008	DRAWN BY SQUAN
SCALE 1"=50'	PAGE 008

MATERIALS LIST

ITEM	DESCRIPTION	QTY.
1	TRIDENT RTD 1X12	100
2	TRIDENT RTD 1X12	
3	TRIDENT RTD 1X12	
4	12 CT FOC	
5	12 CT FOC LOOP	
6	24 CT FOC	
7	24 CT FOC LOOP	
8	48 CT FOC	
9	48 CT FOC LOOP	
10	72 CT FOC	
11	72 CT FOC LOOP	
12	144 CT FOC	417
13	144 CT FOC LOOP	100
14	288 CT FOC	
15	288 CT FOC LOOP	
16	BDO576P LCP	
17	576 LCP PAD	
18	UH2	4
19	UH3	
20	UH4	1
21	UH5	
22	1-1.25" SDR11 HDPE	197
23	2-1.25" SDR11 HDPE	403
24	3-1.25" SDR11 HDPE	66
25	4-1.25" SDR11 HDPE	
26	TYCO "B" SPLICE CASE	
27	TYCO "D" SPLICE CASE	1
28	GROUND ROD	1
29	SPLICES	12
30	BM53FA	1

REVISIONS

REV.	DESCRIPTION	INITIALS	DATE
1			
2			

PREPARED BY



PREPARED FOR

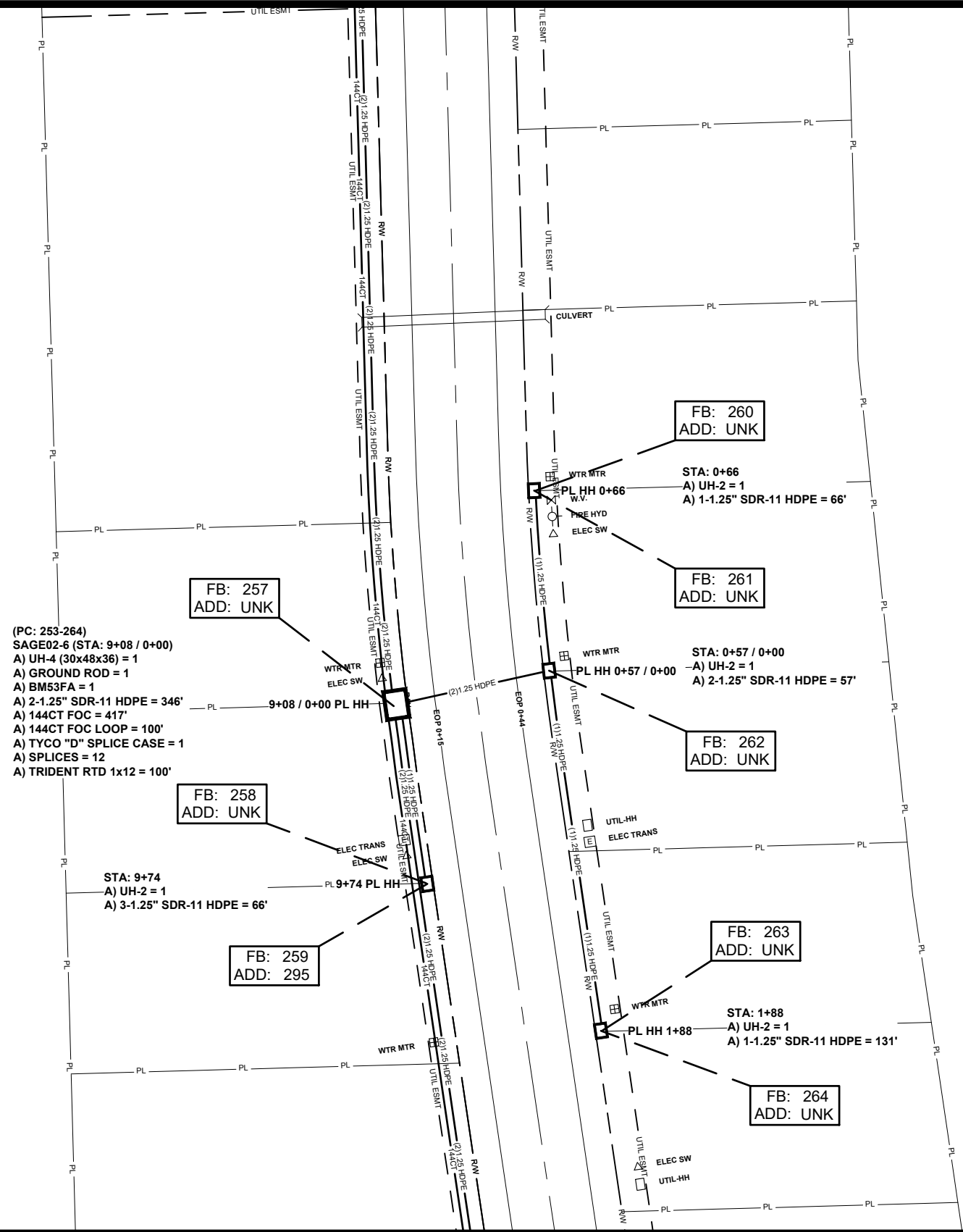


MAP NUMBER

7
8
9

DISCLAIMER

EXCEPT AS MAY BE OTHERWISE PROVIDED BY CONTRACT, THESE DRAWINGS AND SPECIFICATIONS SHALL REMAIN THE PROPERTY OF CSPIRE FIBER. BEING ISSUED IN STRICT CONFIDENCE AND SHALL NOT BE REPRODUCED, COPIED, OR USED FOR ANY PURPOSE WITHOUT SPECIFIC WRITTEN PERMISSION.



(PC: 253-264)
SAGE02-6 (STA: 9+08 / 0+00)
A) UH-4 (30x48x36) = 1
A) GROUND ROD = 1
A) BM53FA = 1
A) 2-1.25" SDR-11 HDPE = 346'
A) 144CT FOC = 417'
A) 144CT FOC LOOP = 100'
A) TYCO "D" SPLICE CASE = 1
A) SPLICES = 12
A) TRIDENT RTD 1x12 = 100'

FB: 257
ADD: UNK

FB: 258
ADD: UNK

FB: 259
ADD: 295

FB: 260
ADD: UNK

FB: 261
ADD: UNK

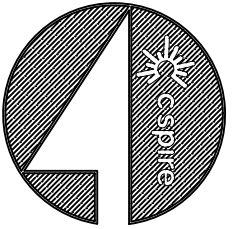
FB: 262
ADD: UNK

FB: 263
ADD: UNK

FB: 264
ADD: UNK

ALL CABLE WILL BE PLACED BY METHOD OF DIRECTIONAL BORE MIN 2' OFF ROW OR EASEMENT @ 42" DOC UNLESS OTHERWISE NOTED.

NOTIFY ALL UTILITIES 72 HOURS PRIOR TO CONSTRUCTION ACTIVITY.
ONE CALL SYSTEM @ 1-800-227-6477



FILE NAME SAGEFIELD - OAKFIELD ADDITION	
PROJECT CITY GLUCKSTADT, MS	
FULL FILENAME	
FULL FILE NAME	
DATE	DESCRIPTION
	CONSTRUCTION
SHEET 009	DRAWN BY SQUAN
SCALE 1"=50'	PAGE 009

MATERIALS LIST

ITEM	DESCRIPTION	QTY.
1	TRIDENT RTD 1X12	100
2	TRIDENT RTD 1X12	
3	TRIDENT RTD 1X12	
4	12 CT FOC	
5	12 CT FOC LOOP	
6	24 CT FOC	
7	24 CT FOC LOOP	
8	48 CT FOC	
9	48 CT FOC LOOP	
10	72 CT FOC	
11	72 CT FOC LOOP	
12	144 CT FOC	311
13	144 CT FOC LOOP	100
14	288 CT FOC	
15	288 CT FOC LOOP	
16	BDO576P LCP	
17	576 LCP PAD	
18	UH2	4
19	UH3	
20	UH4	1
21	UH5	
22	1-1.25" SDR11 HDPE	49
23	2-1.25" SDR11 HDPE	470
24	3-1.25" SDR11 HDPE	131
25	4-1.25" SDR11 HDPE	
26	TYCO "B" SPLICE CASE	
27	TYCO "D" SPLICE CASE	1
28	GROUND ROD	1
29	SPLICES	12
30	BM53FA	1

REVISIONS

REV.	DESCRIPTION	INITIALS	DATE
1			
2			

PREPARED BY



PREPARED FOR



MAP NUMBER

8	9	10
---	---	----

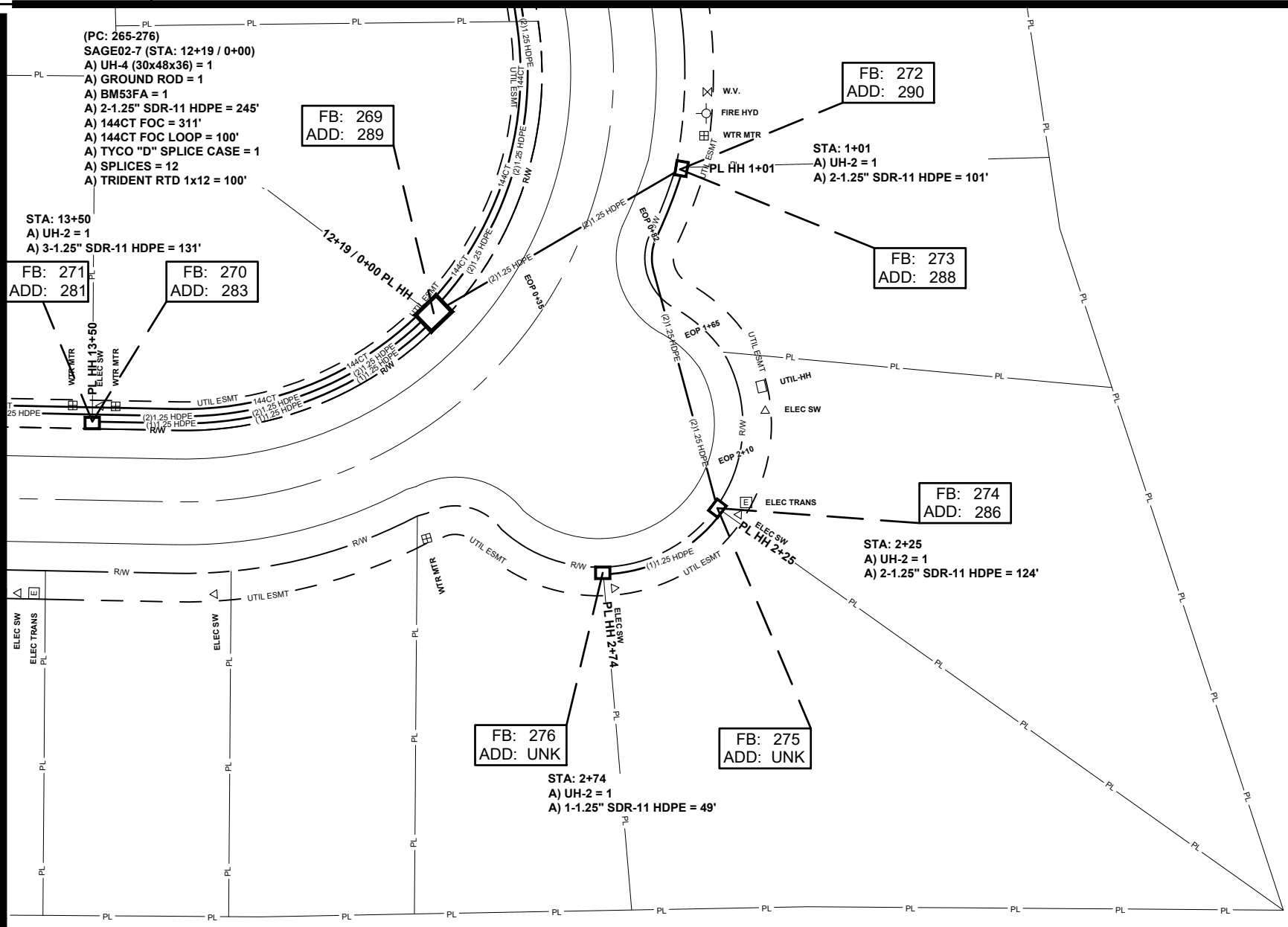
DISCLAIMER

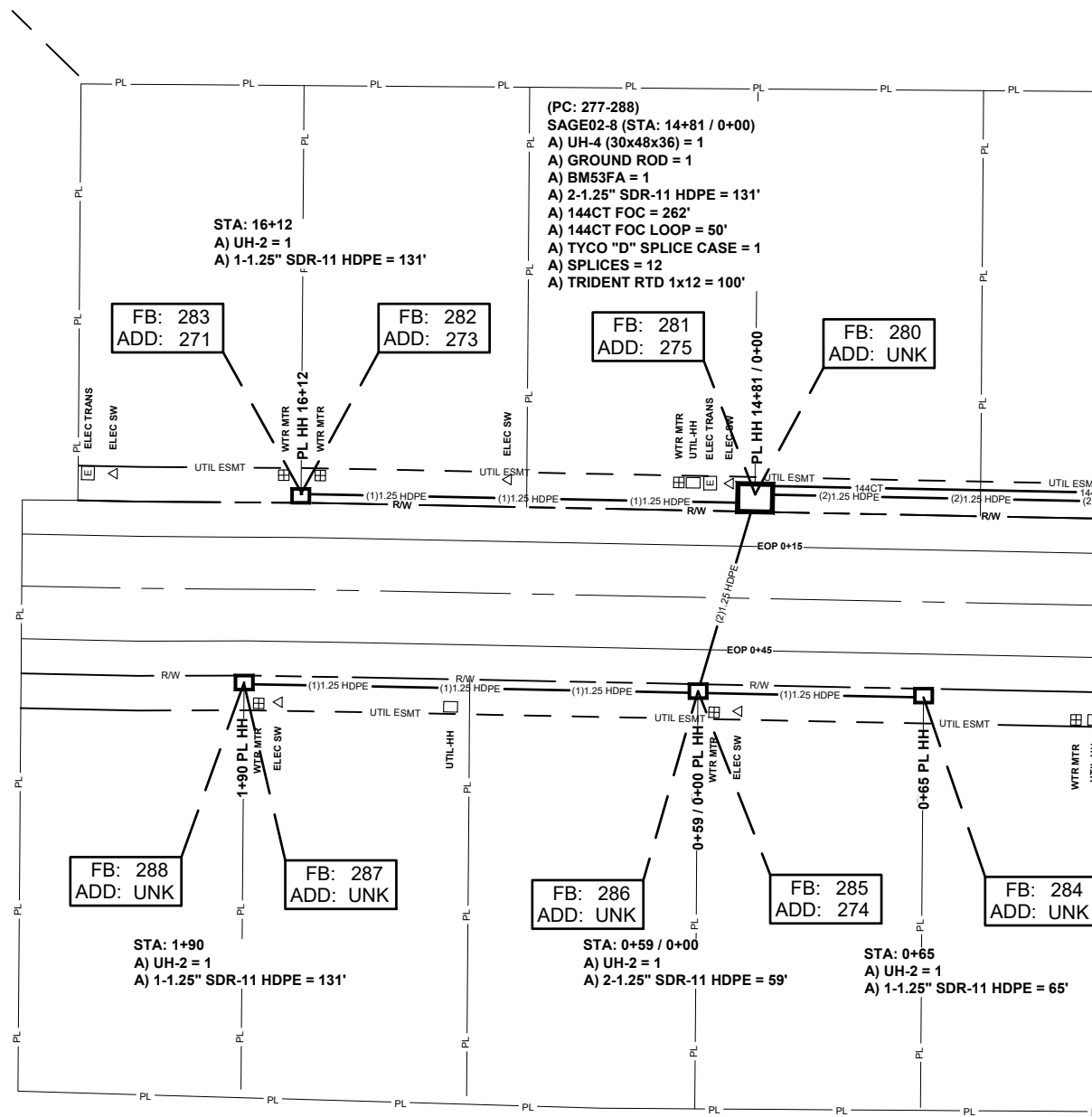
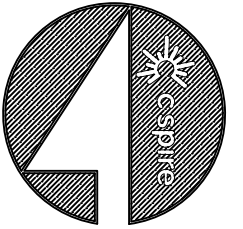
EXCEPT AS MAY BE OTHERWISE PROVIDED BY CONTRACT, THESE DRAWINGS AND SPECIFICATIONS SHALL REMAIN THE PROPERTY OF CSPIRE FIBER. BEING ISSUED IN STRICT CONFIDENCE AND SHALL NOT BE REPRODUCED, COPIED, OR USED FOR ANY PURPOSE WITHOUT SPECIFIC WRITTEN PERMISSION.

ALL CABLE WILL BE PLACED BY METHOD OF DIRECTIONAL BORE MIN 2' OFF ROW OR EASEMENT @ 42" DOC UNLESS OTHERWISE NOTED.

NOTIFY ALL UTILITIES 72 HOURS PRIOR TO CONSTRUCTION ACTIVITY.
ONE CALL SYSTEM @ 1-800-227-6477

SEE SHEET 10





SEE SHEET 9

FILE NAME	
SAGEFIELD - OAKFIELD ADDITION	
PROJECT CITY	
GLUCKSTADT, MS	
FULL FILENAME	
FULL FILE NAME	
DATE	DESCRIPTION
	CONSTRUCTION
SHEET	DRAWN BY
010	SQUAN
SCALE	PAGE
1"=50'	010

MATERIALS LIST		
ITEM	DESCRIPTION	QTY.
1	TRIDENT RTD 1X12	100
2	TRIDENT RTD 1X12	
3	TRIDENT RTD 1X12	
4	12 CT FOC	
5	12 CT FOC LOOP	
6	24 CT FOC	
7	24 CT FOC LOOP	
8	48 CT FOC	
9	48 CT FOC LOOP	
10	72 CT FOC	
11	72 CT FOC LOOP	
12	144 CT FOC	262
13	144 CT FOC LOOP	50
14	288 CT FOC	
15	288 CT FOC LOOP	
16	BDO576P LCP	
17	576 LCP PAD	
18	UH2	4
19	UH3	
20	UH4	1
21	UH5	
22	1-1.25" SDR11 HDPE	327
23	2-1.25" SDR11 HDPE	190
24	3-1.25" SDR11 HDPE	
25	4-1.25" SDR11 HDPE	
26	TYCO "B" SPLICE CASE	
27	TYCO "D" SPLICE CASE	1
28	GROUND ROD	1
29	SPLICES	12
30	BM53FA	1

REVISIONS			
REV.	DESCRIPTION	INITIALS	DATE
1			
2			

PREPARED BY

PREPARED FOR

MAP NUMBER		
	18	9

DISCLAIMER

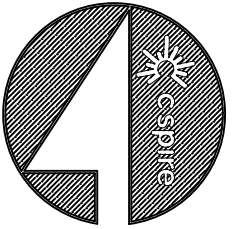
EXCEPT AS MAY BE OTHERWISE PROVIDED BY CONTRACT, THESE DRAWINGS AND SPECIFICATIONS SHALL REMAIN THE PROPERTY OF CSPIRE FIBER. BEING ISSUED IN STRICT CONFIDENCE AND SHALL NOT BE REPRODUCED, COPIED, OR USED FOR ANY PURPOSE WITHOUT SPECIFIC WRITTEN PERMISSION.

ALL CABLE WILL BE PLACED BY METHOD OF DIRECTIONAL BORE MIN 2' OFF ROW OR EASEMENT @ 42" DOC UNLESS OTHERWISE NOTED.

NOTIFY ALL UTILITIES 72 HOURS PRIOR TO CONSTRUCTION ACTIVITY.
ONE CALL SYSTEM @ 1-800-227-6477

CITY OF GLUCKSTADT

MADISON COUNTY, MISSISSIPPI



NOTE:
EXISTING HANDHOLE LCP PLACED
ON SAGEFIELD - OAKFIELD PROJECT

SAGE01 (STA: 0+00)
A) UH-5 (30X60X36)
A) 48CT FOC LOOP = 50'
A) 288CT FOC LOOP = 50'
SAGE01-1
A) BDO288P LCP

SAGE02-1 (STA: 0+22)
A) UH-5 (30X60X36) = 1
A) GROUND ROD = 1
A) BM53FA = 1
A) 48CT FOC = 22'
A) 48CT FOC = 50'
A) 48CT FOC TAIL = 50'
A) 288CT FOC TAIL = 50'
A) 288CT FOC LOOP = 50'
A) 2-1.25" SDR-11 HDPE = 22'
A) TYCO B SPLICE CASE = 1
A) TYCO D SPLICE CASE = 1
A) SPLICES = 336
A) BDO288P LCP = 1
A) GROUND ROD = 1

NOTE:
EXISTING HANDHOLE PLACED ON
SAGEFIELD - OAKFIELD PROJECT

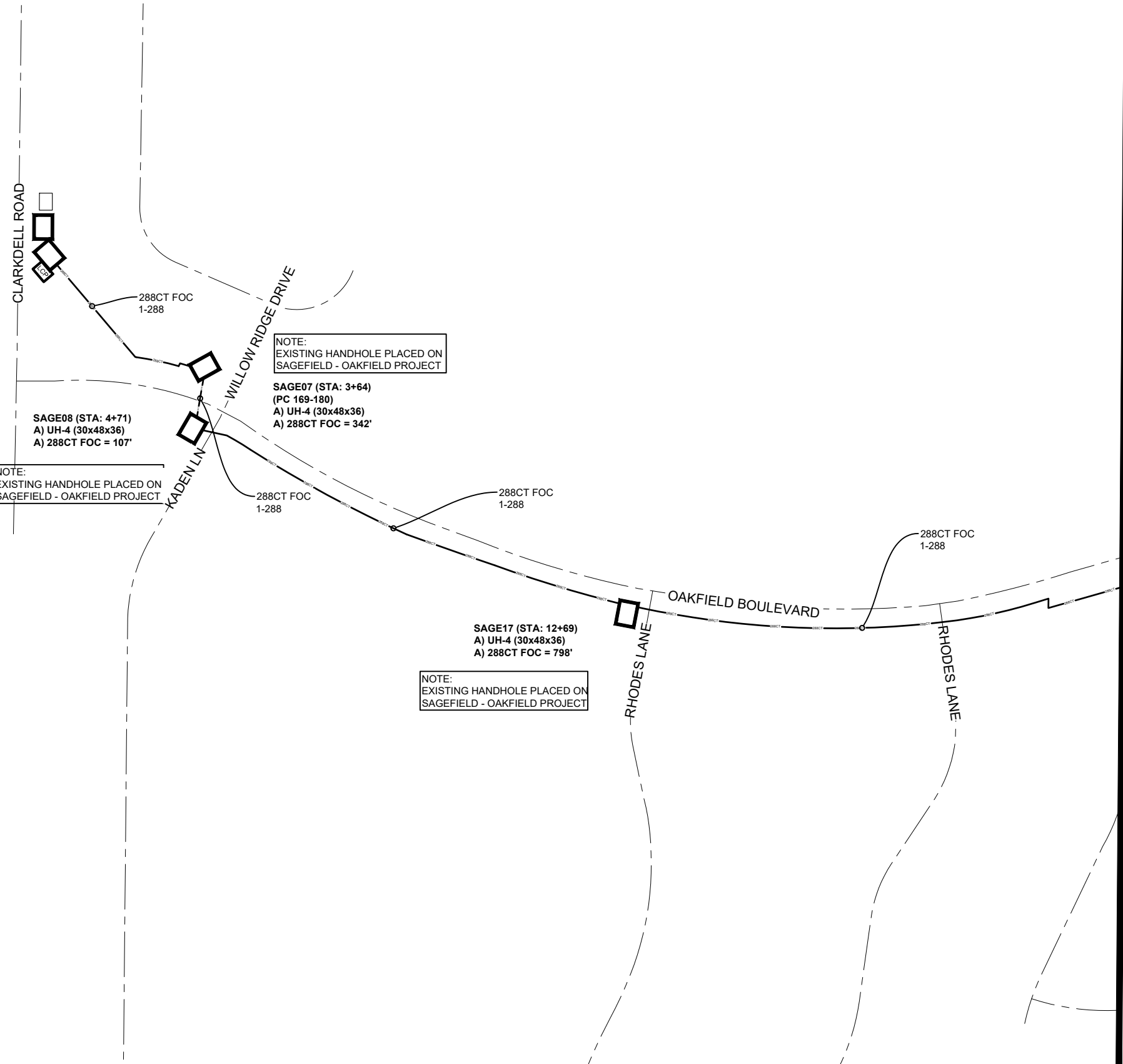
SAGE08 (STA: 4+71)
A) UH-4 (30x48x36)
A) 288CT FOC = 107'

NOTE:
EXISTING HANDHOLE PLACED ON
SAGEFIELD - OAKFIELD PROJECT

SAGE07 (STA: 3+64)
(PC 169-180)
A) UH-4 (30x48x36)
A) 288CT FOC = 342'

NOTE:
EXISTING HANDHOLE PLACED ON
SAGEFIELD - OAKFIELD PROJECT

SAGE17 (STA: 12+69)
A) UH-4 (30x48x36)
A) 288CT FOC = 798'



SEE SHEET 2

FILE NAME
SAGEFIELD - OAKFIELD ADDITION
PROJECT CITY
GLUCKSTADT, MS
FULL FILENAME
FULL FILE NAME

DATE	DESCRIPTION
	CONSTRUCTION
SHEET	DRAWN BY
SCHEMATIC 1	SQUAN
SCALE	PAGE
1"=50'	SCHEMATIC 1

MATERIALS LIST

ITEM	DESCRIPTION	QTY.
1	TRIDENT RTD 1X12	
2	TRIDENT RTD 1X12	
3	TRIDENT RTD 1X12	
4	12 CT FOC	
5	12 CT FOC LOOP	
6	24 CT FOC	
7	24 CT FOC LOOP	
8	48 CT FOC	
9	48 CT FOC LOOP	
10	48 CT FOC LOOP	
11	72 CT FOC LOOP	
12	96 CT FOC	
13	96 CT FOC LOOP	
14	288 CT FOC LOOP	
15	288 CT FOC LOOP	
16	BDO288P LCP	
17	288 LCP PAD	
18	UH2	
19	UH3	
20	UH4	
21	UH5	
22	1-1.25" SDR11 HDPE	
23	2-1.25" SDR11 HDPE	
24	3-1.25" SDR11 HDPE	
25	4-1.25" SDR11 HDPE	
26	TYCO "B" SPLICE CASE	
27	TYCO "D" SPLICE CASE	
28	GROUND ROD	
29	SPLICES	
30	BM53FA	

REVISIONS

REV.	DESCRIPTION	INITIALS	DATE
1			
2			

PREPARED BY
SQUAN
PREPARED FOR
cspire

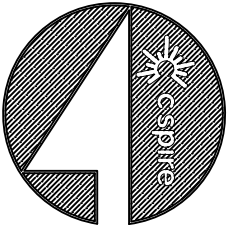
MAP NUMBER

1	2
---	---

DISCLAIMER
EXCEPT AS MAY BE OTHERWISE PROVIDED BY CONTRACT, THESE DRAWINGS AND SPECIFICATIONS SHALL REMAIN THE PROPERTY OF CSPIRE FIBER. BEING ISSUED IN STRICT CONFIDENCE AND SHALL NOT BE REPRODUCED, COPIED, OR USED FOR ANY PURPOSE WITHOUT SPECIFIC WRITTEN PERMISSION.

ALL CABLE WILL BE PLACED BY METHOD OF DIRECTIONAL BORE MIN 2' OFF ROW OR EASEMENT @ 42" DOC UNLESS OTHERWISE NOTED.

NOTIFY ALL UTILITIES 72 HOURS PRIOR TO CONSTRUCTION ACTIVITY.
ONE CALL SYSTEM @ 1-800-227-6477



SEE SHEET 1

SAGE02-2 (STA: 26+16)
 A) UH-4 (30x48x36) = 1
 A) 2-1.25" SDR-11 HDPE = 1347'
 A) 288CT FOC = 1347'

(PC: 217-228)
 SAGE02-3 (STA: 34+00 / 0+00)
 A) UH-4 (30x48x36) = 1
 A) 288CT FOC = 775'
 A) TYCO "D" SPLICE CASE = 1
 A) SPLICES = 144
 A) TRIDENT RTD 1x12 = 100'

(PC: 229-240)
 SAGE02-4 (STA: 2+80 / 0+00)
 A) UH-4 (30x48x36) = 1
 A) 144CT FOC = 279'
 A) TYCO "D" SPLICE CASE = 1
 A) SPLICES = 12
 A) TRIDENT RTD 1x12 = 100'

(PC: 241-252)
 SAGE02+5 (STA: 4+91 / 0+00)
 A) UH-4 (30x48x36) = 1
 A) 144CT FOC = 211'
 A) TYCO "D" SPLICE CASE = 1
 A) SPLICES = 12
 A) TRIDENT RTD 1x12 = 100'

(PC: 253-264)
 SAGE02-6 (STA: 9+08 / 0+00)
 A) UH-4 (30x48x36) = 1
 A) 144CT FOC = 416'
 A) TYCO "D" SPLICE CASE = 1
 A) SPLICES = 12
 A) TRIDENT RTD 1x12 = 100'

(PC: 277-288)
 SAGE02-8 (STA: 14+81 / 0+00)
 A) UH-4 (30x48x36) = 1
 A) 144CT FOC = 257'
 A) TYCO "D" SPLICE CASE = 1
 A) SPLICES = 12
 A) TRIDENT RTD 1x12 = 100'

(PC: 265-276)
 SAGE02-7 (STA: 12+19 / 0+00)
 A) UH-4 (30x48x36) = 1
 A) 144CT FOC = 307'
 A) TYCO "D" SPLICE CASE = 1
 A) SPLICES = 12
 A) TRIDENT RTD 1x12 = 100'

FILE NAME	
SAGEFIELD - OAKFIELD ADDITION	
PROJECT CITY	
GLUCKSTADT, MS	
FULL FILENAME	
FULL FILE NAME	
DATE	DESCRIPTION
	CONSTRUCTION
SHEET	DRAWN BY
SCHEMATIC 2	SQUAN
SCALE	PAGE
1"=50'	SCHEMATIC 2

MATERIALS LIST

ITEM	DESCRIPTION	QTY.
1	TRIDENT RTD 1X12	
2	TRIDENT RTD 1X12	
3	TRIDENT RTD 1X12	
4	12 CT FOC	
5	12 CT FOC LOOP	
6	24 CT FOC	
7	24 CT FOC LOOP	
8	48 CT FOC	
9	48 CT FOC LOOP	
10	48 CT FOC LOOP	
11	72 CT FOC LOOP	
12	96 CT FOC	
13	96 CT FOC LOOP	
14	288 CT FOC LOOP	
15	288 CT FOC LOOP	
16	BDO288P LCP	
17	288 LCP PAD	
18	UH2	
19	UH3	
20	UH4	
21	UH5	
22	1-1.25" SDR11 HDPE	
23	2-1.25" SDR11 HDPE	
24	3-1.25" SDR11 HDPE	
25	4-1.25" SDR11 HDPE	
26	TYCO "B" SPLICE CASE	
27	TYCO "D" SPLICE CASE	
28	GROUND ROD	
29	SPLICES	
30	BM53FA	

REVISIONS

REV.	DESCRIPTION	INITIALS	DATE
1			
2			

PREPARED BY



PREPARED FOR



MAP NUMBER

1	2	
---	---	--

DISCLAIMER

EXCEPT AS MAY BE OTHERWISE PROVIDED BY CONTRACT, THESE DRAWINGS AND SPECIFICATIONS SHALL REMAIN THE PROPERTY OF CSPIRE FIBER. BEING ISSUED IN STRICT CONFIDENCE AND SHALL NOT BE REPRODUCED, COPIED, OR USED FOR ANY PURPOSE WITHOUT SPECIFIC WRITTEN PERMISSION.

ALL CABLE WILL BE PLACED BY METHOD OF DIRECTIONAL BORE MIN 2' OFF ROW OR EASEMENT @ 42" DOC UNLESS OTHERWISE NOTED.

NOTIFY ALL UTILITIES 72 HOURS PRIOR TO CONSTRUCTION ACTIVITY.
 ONE CALL SYSTEM @ 1-800-227-6477

responsibility of the Applicant Utility to acquire an easement for their Facilities from the applicable property owner(s). Madison County in no way verifies the limits of Right-of-Way as shown on the permit application.

The Applicant Utility shall be responsible for all future maintenance and repair of the facilities installed under this permit. The Applicant Utility shall make future adjustments to, or relocate, the facilities located within road or highway right-of-way when required for road or highway widening or other road or highway construction at no cost to Madison County. The Applicant Utility shall relocate said utilities within sixty (60) days of notification by County by registered mail, return receipt requested, unless otherwise designated by the County Engineer. Further, any maintenance, repair, or construction shall be done in such a manner as to occasion no unreasonable interference with the normal flow and safety to traffic and at the expense of the utility company. When reasonable care has been taken to locate said utility facilities within the right-of-way, the Applicant Utility understands that any damages caused by routine maintenance and construction by County forces shall be borne by the Applicant Utility.

The Applicant Utility further agrees to indemnify and hold Madison County harmless for any and all claims, accidents, damages, liabilities and expenses occasioned wholly, or in part, by any act or omission of applicant, its agents or employees. In case County shall, without fault on its own part, be made a party to any litigation commenced by or against applicant, then applicant shall protect and hold County harmless, and shall pay all costs, expenses and reasonable attorney's fees incurred or paid by County in connection with said litigation.

All underground facilities shall be installed at a depth equal to or greater than 48" below the lowest adjacent grade.

All pipes carrying liquid shall be encased under County maintained roads.

WITNESS the signature of the Applicant this the 18th day of January, 2021.

By: [Signature]
(Applicant Signature)

Title: L Spire OSP FTH Engineer

Note: Applicant must be an employee of the Utility named in this application. The Madison County Board of Supervisors will not recognize a Contractor, Subcontractor, Agent, or Consulting Engineer as the Applicant. Utility Company shall be fully responsible for all work performed under this application.

I, or my authorized representative, have reviewed this application and determined that the drawing, sketches, and plans submitted by the Applicant meet the requirements of A Policy for The Accommodation of Utility Facilities within the Right-of-Way of all Public County Roads.

APPROVED
By tim.bryan at 1:07 pm, Feb 10, 2021
County Engineer

AGREED TO AND APPROVED BY:

Madison County Board President

Date: _____

ENTERED INTO THE MINUTES OF THE BOARD OF SUPERVISORS OF MADISON COUNTY, MISSISSIPPI ON THIS _____ DAY OF _____, 20____.

Appendix 1

County Road Name: _____
Beginning Location: _____ Ending Location: _____
Length of Project: _____ Section: _____ Township: _____ Range: _____
Description of Work: _____

County Road Name: _____
Beginning Location: _____ Ending Location: _____
Length of Project: _____ Section: _____ Township: _____ Range: _____
Description of Work: _____

County Road Name: _____
Beginning Location: _____ Ending Location: _____
Length of Project: _____ Section: _____ Township: _____ Range: _____
Description of Work: _____

County Road Name: _____
Beginning Location: _____ Ending Location: _____
Length of Project: _____ Section: _____ Township: _____ Range: _____
Description of Work: _____

County Road Name: _____
Beginning Location: _____ Ending Location: _____
Length of Project: _____ Section: _____ Township: _____ Range: _____
Description of Work: _____

